

### IDS Product Data:

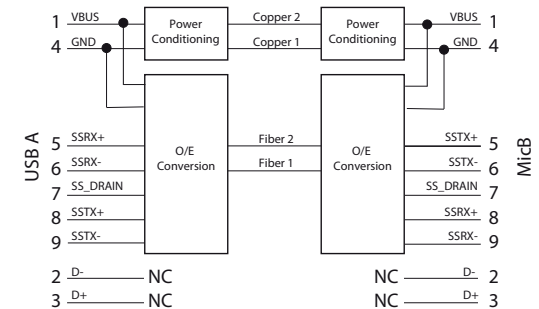
Item number: AD00299  
 Matchcode: USB3 AOC, USB-A to Micro-B, 50m, straight, screw.  
 USB 3.0 metal socket, Micro-B, straight, screw.  
 Date: 17.09.2019

### Zertificates:

**RoHS Compliant**

Item	Description
1	USB A AOC (OD3.6 DCT)
2	A23-1288;USB AOC cable[OD=3.1mm] <BLK>
3	OM1- 2Fiber+2CopperAWG22 USB MicB AOC Hsl(OD3.6 DC)

AOC cables are an active component with their own power consumption, so when used in conjunction with a camera, the maximum power of the USB port on the computer may be exceeded. The power consumption of the camera and the AOC cable add up. This must be taken into account when designing the application.



Note: Pin No. as per Universal Series Bus 3.1 Specification  
 Pin designation at A connector is from Host perspective, and pin designation from B connector is from Device perspective

\* This document is the property of IDS Imaging Development Systems GmbH. It must not be copied or otherwise disclosed without prior written consent.