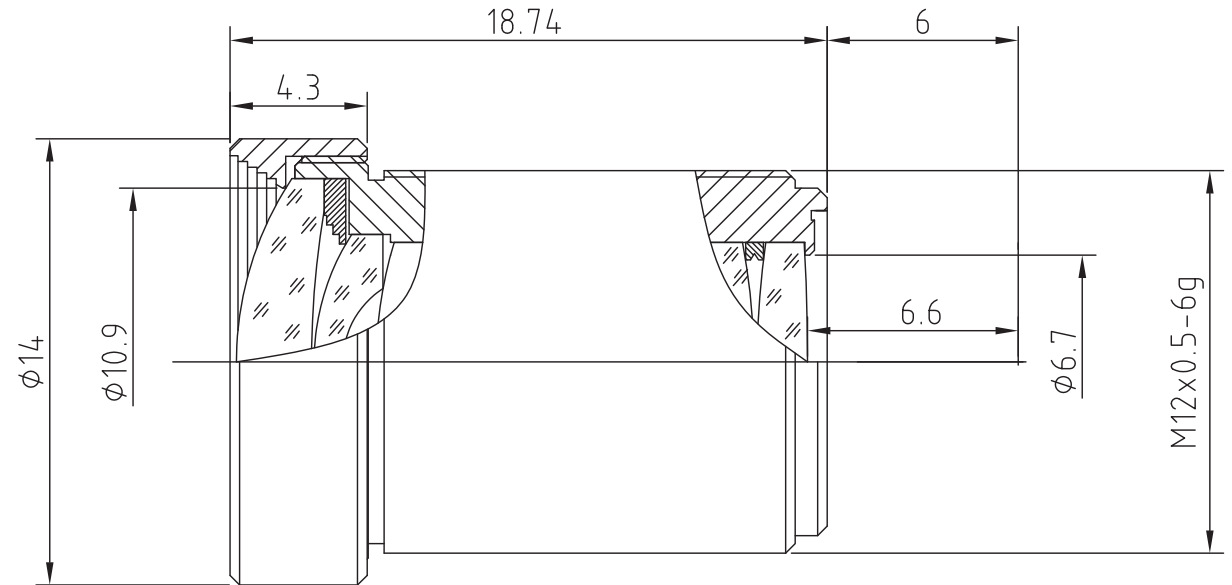


SPECIFICATION

- 1 Sensing Area: 1/2.3"
- 2 Focal Length: 5.4mm
- 3 Back Focal Length: 6.6mm
- 4 F/NO: 2.5
- 5 Iris: Fixed
- 6 Optical Distortion: -2% Max.
- 7 Lens Construction:
 - 9 Group 8Elements
- 8 Field Angle (DxHxV): 70°x60°x46°
- 9 Minimum Working Distance: 0.2m
- 10 Weight: 6g
- 11 10megapixel, IR corrected



TOLERANCE		UNIT mm	MATERIAL	SCALE 5:1	SHEET 1 OF 1	QUANTITY	TYPE		
DIMENSION	TOLERANCE				BORDER A4	NAME	DATE	PART NO.	REV.NC A
X.XX	ø 0.05				DRAWING BY			DATA BASE	
X.X	ø 0.10				CHECKED BY				
X.	ø 0.30				APPROVED BY				
DO NOT SCALE DRAWING		TITLE Lensagon B10M5425					CONFIDENTIAL		